

DS-TCG405-E/H 4MP ANPR Intelligent Entrance Video Unit

DarkFighter



- 1/1.8" Progressive Scan CMOS
- Up to 2688 × 1520 resolution with real-time video
- 2x pics high-performance LEDs (integrated white light and IR)
- 2.8 to 12 mm motorized vari-focal lens
- Support relay output to control vehicle barrier
- Support loop triggering or radar triggering
- Support multi-frame LPR
- Support quick pass of multiple vehicles
- Support vehicle type, vehicle color and vehicle brand recognition
- Integrated shield, lights, TF Card (up to 512 G)
- Up to 100,000 allowlists and blocklists
- Offline control
- PoE (802.3af)
- One-touch focus
- Manual capture and ANPR

▪ Specification

Camera	
Sensor Type	1/1.8" Progressive Scan CMOS
Max. Resolution	2688 × 1520
Min. Illumination	Color: 0.0005Lux@(F1.47, AGC ON) B/W: 0.0001Lux@(F1.47, AGC ON)
Shutter	1/30 s to 1/100,000 s
Day/Night Switch	Supported
IR Cut Filter	IR cut filter Blue glass module to reduce ghost phenomenon
Lens	
Aperture	2.8 to 12 mm: F1.2 to F2.5
Focal Length & FoV	2.8 to 12 mm, horizontal FoV: 113.5° to 39°, vertical FoV: 58.4° to 22.7°, diagonal FoV: 141.3° to 44.3°
Focus	Auto, Vari-focal lens, motor-driven lens
Supplement Light	
Supplement Light Type	IR Light, Warm White Light
Supplement Light Range	Video: 2.8 mm to 12 mm: 20 m Vehicle License Plate: 2.8 mm to 12 mm: 10 m
IR Wavelength	Warm White Light 3000 K, IR Light 850 nm
Image	
WDR	140 dB
Main Stream	50 Hz: 25 fps (2688 × 1520, 1920 × 1080, 1280 × 720) 60 Hz: 30 fps (2688 × 1520, 1920 × 1080, 1280 × 720)
Sub-Stream	50 Hz: 25 fps (1920 × 1080, 1280 × 720, 704 × 576, 640 × 480) 60 Hz: 30 fps (1920 × 1080, 1280 × 720, 704 × 480, 640 × 480)
Image Settings	Saturation: 0 to 100 Brightness: 0 to 100 Contrast: 0 to 100 Gain: 0 to 100 3D DNR: Off, Normal, and Expert modes are selectable. White balance: White Balance 1 and White Balance 2 are selectable.
Image Parameters Switch	Yes
WDR Switch	On, Time, Brightness
Frame Rate	25 fps (P)/30 fps (N)
Video	
ROI	8 regions respectively for main stream and sub-stream, 6 levels for each region.
Video Compression	Main stream: H.265/H.264/MJPEG, Sub-stream: H.265/H.264/MJPEG,
H.264 Type	Low profile Medium profile High Profile

Video Bit Rate	32 Kbps to 16 Mbps
Bit Rate Type	Constant, Variable
Scalable Video Coding (SVC)	H.265 and H.264 encoding
Capture Mode	
Trigger Type	Video Detection, I/O Coil, Radar Mixed Traffic
Picture Type	Scene Picture, Scene Picture + Close-up Picture
Scene Mode	Entrance & Exit Toll Gate, Underground Parking Entrance & Exit
Capture Type	Strobe Light Mode
Capture Parameters	
Image Format	JPEG
Capture Resolution	2688 × 1520
License Plate Recognition	Forward, Backward, Bidirection
Fake Plate Filter	Yes
LED Control	Supports automatic light control/time control of LEDs
Smart Recognition	ANPR, Motor Vehicle Feature, Vehicle Color Recognition, Enable Vehicle Manufacturer Recognition
Capture Picture Overlay	Location, Capture Time, Plate Number, Capture No., Vehicle Color Vehicle Type
Entrance and Exit	
Barrier Gate Control Mode	By Camera/Platform/Mixed
Keep Boom Pole Open for Following Vehicle	Enable/Disable
Lock Barrier Gate for Large-Sized Vehicle	Yes
Relay Output	2-ch relay output, supporting opening and closing of barrier gates
Barrier Gate Status	None, Barrier Gate Close In Place, Barrier Gate Open In Place, Remote Control Open In Place
Allowlist and Blocklist	Up to 100,000 allowlist and blocklist totally Note: Only when the TF card is available, can the function take effect.
Network	
Network Storage	NAS (NFS, SMB/CIFS), auto network replenishment (ANR) together with high-end Hikvision memory card, memory card encryption and health detection are supported.
Protocol	TCP/IP, ICMP, HTTP, HTTPS, FTP Upload Picture, SRTP, DHCP, DNS, DDNS, RTP, RTSP, RTCP, NTP, SNMP, IGMP, QoS, IPv6, UDP, SSL/TLS, WebSocket
API	Open Network Video Interface (PROFILE S, PROFILE G, PROFILE T), ISAPI, SDK, ISUP, Otap, Guarding Vision Platform
Client	Hik-Central, SDKdemo, PMS
Web Browser	Plug-in required live view: IE10+ Plug-in free live view: Chrome 57.0+, Firefox 52.0+, Safari 11+ Local service: Chrome 41.0+, Firefox 30.0+
Security	Password protection, complicated password, HTTPS encryption, watermark, IP address filter, basic and digest authentication for HTTP/HTTPS, WSSE and digest authentication for Open Network Video Interface, RTP/RTSP OVER HTTPS, Control Timeout Settings, Security Audit Log, TLS 1.2
Interface	
Audio	1 input (line in), 1 output (line out)
Communication Mode	1 RJ45 10M/100M Ethernet port

Alarm Input	3-ch triggered inputs
Alarm Output	1-ch alarm output
Wiegand	Not support
RS-232	1-ch RS-485 serial port
RS-485	1-ch RS-232 serial port
Network Interface	1 RJ45 10M/100M self-adaptive Ethernet port
Memory Card Slot	1 TF card slot, up to 1 TB
General	
Working Temperature & Humidity	-25°C to 70°C (-13°F to 158°F) 90% or less (non-condensing)
Power Supply	12 VDC/PoE (802.3at, 44 V to 57 V), 220 VAC
Working Consumption	10 W Max.
Dimensions	415 mm × 145 mm × 145 mm (16.34 × 5.71 × 5.71 inch)
Protection	IP67; IK10
Weight	3.25 kg (7.17 lb.)
Weight (with Package)	4.3 kg (9.48 lb.)
Dimensions (with Package)	480 × 435 × 205 mm (18.90× 17.13 × 8.07 inch)
Storage Conditions	Temperature: -20 °C to 70 °C (- 4°F to 158 °F) Humidity: 95% (non-condensing)
Startup and Operating Conditions	Temperature: -30 °C to 70 °C (-22 °F to 158 °F) Humidity: 95% (non-condensing)
Language	33 languages: English, Russian, Estonian, Bulgarian, Hungarian, Greek, German, Italian, Czech, Slovak, French, Polish, Dutch, Portuguese, Spanish, Romanian, Danish, Swedish, Norwegian, Finnish, Croatian, Slovenian, Serbian, Turkish, Korean, Traditional Chinese, Thai, Vietnamese, Japanese, Latvian, Lithuanian, Portuguese (Brazil), Ukrainian
Approval	
EMC	CE-EMC (EN 55032: 2015, EN 61000-3-2: 2019, EEN 61000-3-3: 2013 + A1: 2019, EN 50130-4: 2011 + A1: 2014); KC (KN 32: 2015, KN 35: 2015)
Security	CB (IEC 62368-1: 2014 + A11); CE-LVD (EN 62368-1: 2014/A11: 2017); BIS (IS 13252 (Part 1): 2010/IEC 60950-1: 2005);
Environment	CE-RoHS (2011/65/EU); WEEE (2012/19/EU); Reach (Regulation (EC) No 1907/2006)
Protection	IK10 (IEC 62262: 2002), IP67 (IEC 60529-2013)
Smart Function	
LPR Accuracy	Capture rate > 98% Vehicle moving direction recognition accuracy > 98.5% LPR accuracy > 98% Mistaken capture rate < 2% European: LPR accuracy > 98% Country/Region recognition accuracy > 95%
Vehicle Type Recognition	Car/Van/Bus/Truck/Light Truck/SUV_MPV/Pickup/Pedestrian/Motorcycle/Tricycle
Vehicle Color	Red, Yellow (including orange, golden), Green, Cyan, Blue, Purple, Pink, Brown, White, Gray (including silver), Black

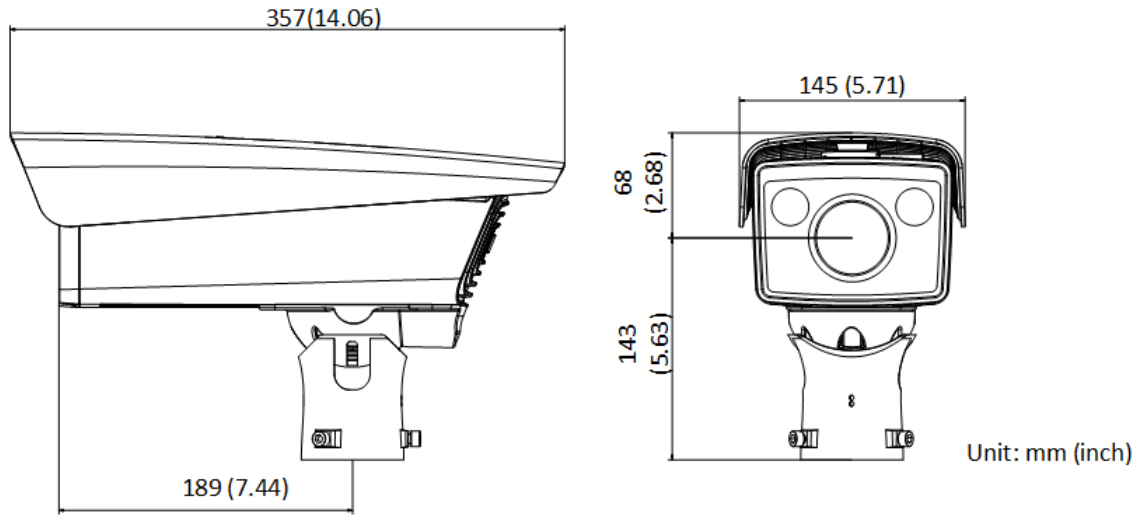
<p>Vehicle Brand</p>	<p>84 manufacturers: Hyundai, Toyota, KIA, Honda, Volkswagen, Benz, Nissan, Ford, Isuzu, BMW, Chevrolet, Mitsubishi, Renault, Opel, Suzuki, Skoda, Daewoo, Audi, Mazda, GAC HINO, Peugeot, SsangYong, Citroen, Fiat, Scania, MAN, Volvo, Lexus, Seat, Land Rover, Daihatsu, Dongwo, Subaru, Iveco, MINI, JEEP, Porsche, Chery, Dodge, Chrysler, Acura, Alfa Romeo, Great Wall, Infiniti, Smart, Saic Maxus, JAC, Jaguar, GMC, Lincoln, JMC, SAAB, FAW, Yutong, Guangzhou Yunbao, Joylong, Geely, Cadillac, JBC, An'kai, Haima, Foton, King Long, Dongfeng, Geely-Emgrand, Perodua, UD, BYD, Renault Samsung, Proton, HICOM, Malaysia_Unknown 1, Hyundai-Rohens, SsangYong-Old Version, Equus-Old Version, CNHTC, Rolls-Royce, Beiben Truck, Haval, Hino, Kia-Borrego, Chang'an, Alfa, FORO</p>
<p>ANPR Supported Country/Region</p>	<p>Middle East: The United Arab Emirates (Abu Dhabi, Ajman, Dubai, Fujairah, Ras Al Khaimah, Sharjah and Umm Al Quwain), Qatar, Iraq, Egypt, Jordan, Kuwait, Saudi Arabia, Pakistan, Oman, Lebanon, Bahrain</p> <p>Africa: Nigeria, Kenya, Ivory Coast, South Africa, Tanzania, Mauritius, Morocco, Tunisia, Sierra Leone, Zambia, Ghana, Zimbabwe, Uganda, Angola, Ethiopia, Senegal, Algeria</p> <p>Asia-Pacific: Australia, New Zealand, Indonesia, Malaysia, Singapore, South Korea, Thailand, Vietnam, the Philippines, Taiwan, Myanmar, India, Mongolia, Cambodia, Laos, Bangladesh, Nepal, Sri Lanka</p> <p>America: Canada, Argentina, Chile, Paraguay, Uruguay, El Salvador, Bolivia, Colombia, Brazil, Ecuador, Peru, Mexico, Panama, Costa Rica, Trinidad and Tobago, the Dominican Republic, Guatemala</p> <p>Europe: Turkey, Croatia, Slovakia, Czech Republic, Bulgaria, the Republic of North Macedonia, Hungary, Greece, Poland, France, Netherlands, Switzerland, Spain, the UK, Ireland, Germany, Italy, Austria, Israel, Palestinian, Belgium, Luxembourg, Albania, Serbia, Romania, Montenegro, Denmark, Finland, Sweden, Slovenia, Portugal, Malta, Cyprus, Iceland, Liechtenstein, Bosnia and Herzegovina</p> <p>Russian-Speaking Regions: Azerbaijan, Belarus, Kazakhstan, Lithuania, Georgia, Estonia, Latvia, Russia, Ukraine, Moldova, Uzbekistan, Kyrgyzstan, Armenia, Turkmenistan, Tajikistan</p>

▪ **Available Model**

DS-TCG405-E/H(220V)

DS-TCG405-E/H(12V/Poe)

▪ **Dimension**



▪ **Accessory**

▪ **Optional**

DS-1232ZJ-T Cardan Joint	DS-1275ZJ/HWB Hoop & Bracket	DS-1701ZJ/HWB Hoop & Bracket	L1300-R117 Pole For LPR Camera Unit	DS-1701ZJ/HKB Hoop & Bracket
				
DS-1701ZJ/BJH Hoop & Bracket	ESP-L2500-X1300-R 117 Pole for LPR Camera Unit			
				

Headquarters

No.555 Qianmo Road, Binjiang District,
Hangzhou 310051, China
T +86-571-8807-5998
www.hikvision.com



Follow us on social media to get the latest product and solution information.

