

## DS-2CD6D54FWD-(I)Z(H)(S)(/NFC) EXIR Flexible PanoVu Network Camera



### smart IPC

- 1/2.7" Progressive Scan CMOS
- 2560 x 1920 @ 25fps
- FOV: horizontal 30° to 101°, vertical 22.4° to 73°, diagonal field of view: 37° to 137°
- H.265, H.264, H.265+, H.264+
- Fiber optical transmission, optional
- 10 m to 30 m IR range
- IP67, IK10
- 4 flexible lens
- 6 behavior analyses, 4 exception detection, and face detection



## Specifications

<b>Camera</b>		
Image Sensor	1/2.7" Progressive Scan CMOS	
Min. Illumination	Color: 0.006 Lux @ (F1.2, AGC ON), 0.010 Lux @ (F1.6, AGC ON) B/W: 0.002 Lux @ (F1.2, AGC ON); 0.003 Lux @ (F1.6, AGC ON) 0 Lux with IR on	
Shutter Speed	1 s - 1/100,000 s	
Auto-iris	No	
Day & Night	IR Cut Filter	
Digital Noise Reduction	3D DNR	
WDR	120 dB	
3-Axis Adjustment	Four flexible lens in one track, slide range: -180° to 180°, tilt: 0° to 135°, rotate: 0° to 355°	
<b>Lens</b>		
Focal length	2.8mm to 12mm	
Aperture	F1.6	
FOV	Horizontal field of view: 30° to 101° Vertical field of view: 22.4° to 73° Diagonal field of view: 37° to 137°	
Lens Mount	Φ14	
<b>IR</b>		
IR Range	10 m to 30 m	
Wavelength	850 nm	
<b>Compression Standard</b>		
Video Compression	Main stream: H.265+/H.265/H.264+/H.264 Sub stream: H.265/H.264/MJPEG Third stream: H.265/H.264	
H.264 Type	Baseline Profile/Main Profile/High Profile	
H.264+	Yes	
H.265 Type	Main Profile	
H.265+	Yes	
Video Bit Rate	32 Kbps to 16 Mbps	
Audio Compression	G.711/G.722.1/G.726/MP2L2/PCM	
Audio Bit Rate	64Kbps(G.711)/16Kbps(G.722.1)/16Kbps(G.726)/32-192Kbps(MP2L2)	
<b>Smart Feature-set</b>		
Behavior Analysis	Line crossing detection, intrusion detection, region entrance detection, region exiting detection, unattended baggage detection, object removal detection	
Exception Detection	Audio exception detection, scene change detection, defocus detection	
Face Detection	Yes	
Region of Interest	Support 4 fixed region for each stream	
<b>Image</b>		
Max. Resolution	2560 x 1920	
Original Image	Main stream	50Hz: 25fps (2560 × 1920, 2048 × 1536, 1920 × 1080, 1280 × 720) 60Hz: 24fps (2560 × 1920, 2048 × 1536, 1920 × 1080, 1280 × 720)
	Sub-stream	50Hz: 25fps (704 × 576, 640 × 480) 60Hz: 24fps (704 × 480, 640 × 480)
	Third stream	50Hz: 6fps (1920 × 1080, 1280 × 720, 704 × 576, 640 × 480)

	60Hz: 8fps (1920 × 1080, 1280 × 720, 704 × 480, 640 × 480)
Image Enhancement	BLC, 3D DNR, EIS
Image Setting	Rotate mode, saturation, brightness, contrast, sharpness, and white balance are adjustable by client software or web browser
SVC	Support
Day/Night Switch	Day/Night/Auto/Schedule/Triggered by Alarm In (-S)
Picture Overlay	LOGO picture can be overlaid on video with 128 × 128 24bit bmp format
<b>Network</b>	
Network Storage	Support Micro SD/SDHC/SDXC card (128G), local storage and NAS (NFS,SMB/CIFS), ANR
Alarm Trigger	Motion detection, video tampering alarm, network disconnected, IP address conflict, illegal login, HDD full, HDD error
Protocols	TCP/IP, ICMP, HTTP, HTTPS, FTP, DHCP, DNS, DDNS, RTP, RTSP, RTCP, PPPoE, NTP, UPnP, SMTP, SNMP, IGMP, 802.1X, QoS, IPv6, UDP
General Function	One-key reset, anti-flicker, mirror, heartbeat, password protection, privacy mask, watermark, IP address filter
API	ONVIF (PROFILE S, PROFILE G), ISAPI
Simultaneous Live View	Up to 20 channels
User/Host	Up to 32 users 3 levels: Administrator, Operator and User
Client	iVMS-4200
Web Browser	IE8+, Chrome31-44, Firefox 30.0 - 51
<b>Interface</b>	
Audio (-S)	1-ch 3.5 mm input (line in), 1-ch 3.5mm output, dual-track, stereo
Communication Interface	1 RJ45 10M/100M/1000M Ethernet port 1 RS-485 interface (-S) 1 1000M FC fiber optical interface (-/NFC)
Alarm (-S)	2 inputs, 2 outputs (up to 24 VD, 1A or 110 VAC, 500mA )
On-board storage	Built-in Micro SD/SDHC/SDXC slot, up to 128 GB
Reset Button	Yes
<b>Audio</b>	
Environment Noise Filtering	Support
Audio Sampling Rate	8 kHz/16 kHz/32 kHz/44.1 kHz/48 kHz
<b>Fiber Optical</b>	
Interface Type	FC interface
Optical Type	Single mode, single fiber
Input/output Wavelength	Tx1310nm/1.25G, Rx1550nm/1.25G
Transmission Distance	20 km
<b>General</b>	
Firmware Version	5.5.30
Operating Conditions	-30 °C to 60 °C (-22 °F to 140 °F). -H: -40 °C to 60 °C (-40 °F to 140 °F) Humidity 95% or less (non-condensing)
Power Supply	12 VDC ± 20%, 24 VAC ± 20% (for customization), three-core terminal block, -I,-IZS/NFC,-IZHS/NFC: Hi-PoE: 42.5 VDC to 57 VDC, -Z: PoE (802.3at)
Power Consumption and Current	12 VDC ± 20%: max. 28 W/2.3 A 24 VAC ± 20%, max. 50 to 60 Hz/2.5 A (for customization) -I,-IZS/NFC,-IZHS/NFC: Hi-PoE: 42.5 VDC to 57 VDC, max. 34W/0.9 A to 0.6 A -Z: PoE (802.3at): 42.5 VDC to 57 VDC, max. 17W
Protection Level	IP67, IK10

Material	Aluminum alloy, engineering plastics
Dimensions	Camera: $\varnothing 290 \times 145.5$ mm ( $\varnothing 11.42'' \times 5.73''$ ) Package: 453 mm $\times$ 393 mm $\times$ 385 mm (17.8'' $\times$ 15.47'' $\times$ 15.16'')
Weight	Camera: Approx. 4.7 kg (10.3 lb.) With package: Approx. 7.7 kg (16.8 lb.)

*\*The VCA function can be enabled for any channel separately, or for both Camera 01 and Camera 03, or Camera 02 and Camera 04.*

## Available Models

DS-2CD6D54FWD-Z

DS-2CD6D54FWD-IZ

DS-2CD6D54FWD-IZHS/NFC

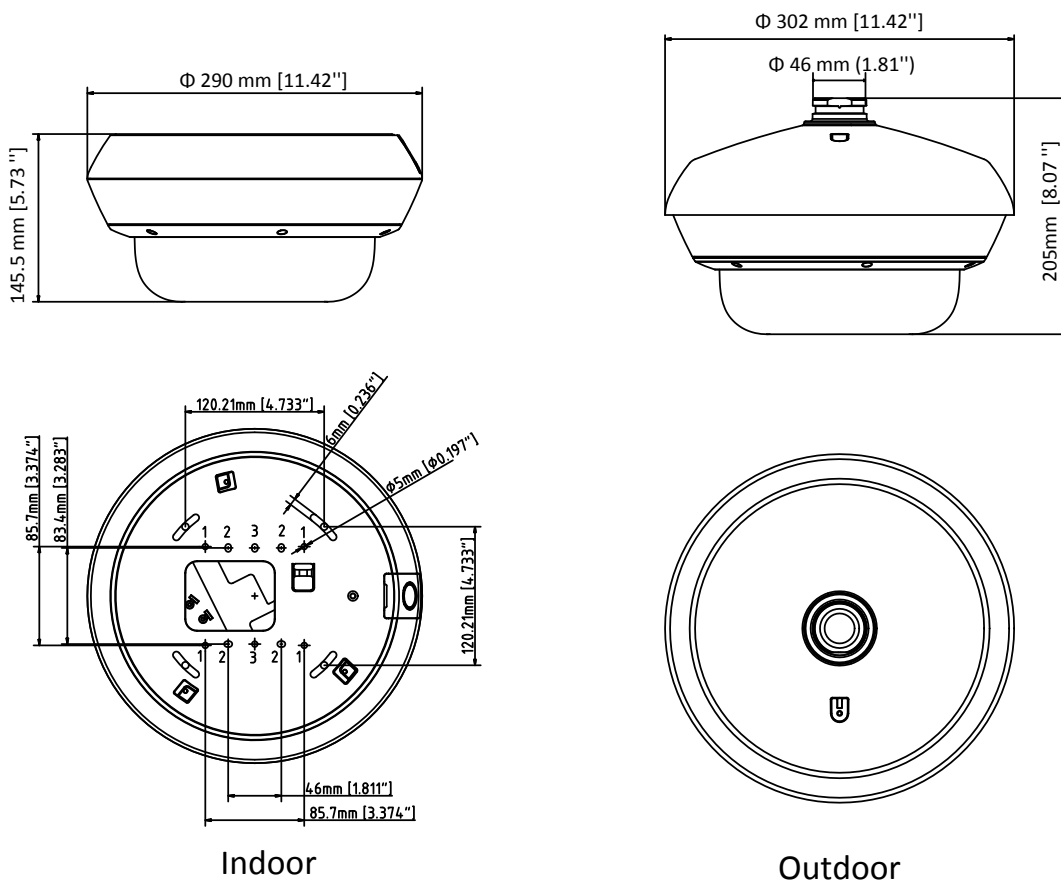
*-I: IR supported*

*-H: heater supported, start-up in -40°C*

*-S: 1 audio input (line in), 1 audio output, 2 alarm input and 2 alarm output, and 1 RS-485 interface*

*-/NFC: fiber optical transmission supported*

## Dimensions



**Accessories**



**DS-1602ZJ**  
Wall Mount



**DS-1603ZJ**  
Wall Mount



**DS-1663ZJ**  
Pendant Mount



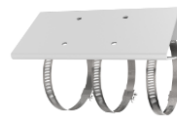
**DS-1661ZJ**  
Pendant Mount



**DS-1275ZJ**  
Vertical Pole Mount



**DS-1276ZJ**  
Corner Mount



**DS-1673ZJ**  
Horizontal Pole Mount

Distributed by



**HIKVISION®**

**Headquarters**

No.555 Qianmo Road, Binjiang District,  
Hangzhou 310051, China  
T +86-571-8807-5998  
overseasbusiness@hikvision.com

**Hikvision USA**  
T +1-909-895-0400  
sales.usa@hikvision.com

**Hikvision Europe**  
T +31-23-55-42-770  
info.eu@hikvision.com

**Hikvision Middle East**  
T +971-4-8816086  
salesme@hikvision.com

**Hikvision Russia**  
T +7-495-669-67-99  
saleru@hikvision.com

**Hikvision India**  
T +91-22-28469900  
sales@pramahikvision.com

**Hikvision Italy**  
T +39-0438-6902  
info.it@hikvision.com

**Hikvision France**  
T +33(0)1-85-330-450  
info.fr@hikvision.com

**Hikvision Spain**  
T +34-91-737-16-55  
info.es@hikvision.com

**Hikvision Poland**  
T +48-22-460-01-50  
potand@hikvision.com

**Hikvision UK**  
T +01628-902140  
support.uk@hikvision.com

**Hikvision Singapore**  
T +65-6684-4718  
sg@hikvision.com

**Hikvision Oceania**  
T +61-2-8599-4233  
salesau@hikvision.com

**Hikvision Canada**  
T +1-909-895-0400  
sales.usa@hikvision.com

**Hikvision Korea**  
T +82-31-731-8841  
sales.korea@hikvision.com

**Hikvision Brazil**  
T +55 11 3318-0050  
Latam.support@hikvision.com

**Hikvision Africa**  
T +27 (10) 0351172  
sale.africa@hikvision.com

**Hikvision Hong Kong**  
T +852-2151-1761