

DH-IPC-HDW4631C-A

6MP IR Eyeball Network Camera



- 1/2.9" 6 Megapixel progressive scan CMOS
- H.265 & H.264 triple-stream encoding
- 20fps@6M. 25fps@4M
- Smart Detection supported
- WDR(120dB), Day/Night(ICR), 3DNR, AWB, AGC, BLC
- Multiple network monitoring: Web viewer, CMS (DSS/PSS) & DMSS
- 2.8mm fixed lens
- Built-in Mic
- Max. IR LEDs Length 50m
- IP67, PoE

System Overview

Eco-savvy products by upgrading H.265 encoding technology, bringing high efficient video compression. It saves bandwidth and storage, energy-saving design to enhance the monitoring system. Meanwhile, the series offers features such as starlight, Smart IR technology, intelligent image analysis techniques. It provides excellent image quality and intelligent and efficient event reminders. This series provides IP67 weatherproof protection feature. Give customers more value.

Functions

Wide Dynamic Range

Embedded with industry leading wide dynamic range (WDR) technology, vivid pictures are achieved even in the most intense contrast lighting conditions. For applications with both bright and low lighting conditions that change quickly, True WDR (120dB) optimises both the bright and dark areas of a scene at the same time to provide usable video.

Environmental

With a temperature range of -40 °C to +60 °C (-40 °F to +140 °F), the camera is designed for extreme temperature environments. Subjected and certified to rigorous dust and water immersion tests, the IP67 rating makes it suitable for demanding outdoor applications. For environment with rain, sleet, snow and fog, an integrated wiper provides users with clear visibility at all times.



Protection

Supporting $\pm 30\%$ input voltage tolerance, this camera suits even the most unstable conditions for outdoor applications. Its 4KV lightning rating provides protection against the camera and its structure from the effects of lightning.

Smart H.265+

Deliver high quality video without straining the network, Smart H.265+ is the optimised implementation of H.265. The Smart H.265+ encoding technology includes a scene adaptive encoding strategy, dynamic GOP, dynamic ROI, flexible multi-frame reference structure and intelligent noise reduction, providing saving of up to 70% of bandwidth and storage when compared with standard H.265.

HEVC (H.265)

H.265 ITU-T VCEG is a new video coding standard. H.265 Following standard developed around the existing video coding standard H.264, some retain the original technology, while some of the relevant technology to improve the new technology uses advanced technology to improve the relationship between the code stream, encoding quality, and the delay between algorithm complexity, optimise settings specific contents include: Improve compression efficiency, improve the robustness and error recovery capabilities, real-time to reduce the delay, reduce channel acquisition time and a random access delay, reduce complexity, etc

Technical Specifications

Camera	
Image Sensor	1/2.9" 6Megapixel progressive scan CMOS
Effective Pixels	3072(H)x2048(V)
RAM/ROM	512MB/32MB
Scanning System	Progressive
Electronic Shutter Speed	Auto/Manual, 1/3(4)~1/100000s
Minimum Illumination	0.0002Lux (Black & White) 0.002Lux (Color) 0Lux (IR on)
S/N Ratio	More than 56dB
IR Distance	up to 50m (164 ft)
IR On/Off Control	Auto/ Manual
IR LEDs	1

Lens	
Lens Type	Fixed
Mount Type	Board-in
Focal Length	2.8mm
Max. Aperture	F2.0
Angle of View	H:104°, V:57°
Optical Zoom	N/A

Pan/Tilt/Rotation	
Pan/Tilt/Rotation Range	Pan:0°~360°; Tilt:0°~78°; Rotation: 0°~360° (manual)

Intelligence	
IVS	Tripwire, Intrusion, Object Abandoned/ Missing
Advanced Intelligent Functions	Face Detection

Video	
Compression	H.265+/H.265/H.264+/H.264
Streaming Capability	3 Streams
Resolution	6M(3072×2048)/4M(2688×1520)/ 3M(2304×1296)/ 1080P(1920×1080)/1.3M(1280×960)/ 720P(1280×720)/D1(704×576/704×480)/ VGA(640×480)/CIF(352×288/352×240)
Frame Rate	Main Stream: 6M(1~20fps) / 4M(1~25fps) Sub Stream: D1(1~20fps) Third Stream: 720P(1~6fps)
Bit Rate Control	CBR/VBR
Bit Rate	H.264: 24~10240Kbps H.265: 14~9984Kbps

Day/Night	Auto(ICR) / Color / B/W
BLC Mode	BLC / HLC / WDR(120dB)
White Balance	Auto/Natural/Street Lamp/Outdoor/ Manual
Gain Control	Auto/Manual
Noise Reduction	3D DNR
Motion Detetion	Off / On (4 Zone, Rectangle)
Region of Interest	Off / On (4 Zone)
Electronic Image Stabilization (EIS)	N/A
Smart IR	Support
Digital Zoom	16x
Flip	0°/90°/180°/270°
Mirror	Off/On
Privacy Masking	Off / On (4 Area, Rectangle)

Audio	
Compression	G.711a/ G.711Mu/ AAC/ G.726

Network	
Ethernet	RJ-45 (10/100Base-T)
Protocol	HTTP; HTTPS; TCP; ARP; RTSP; RTP; UDP; SMTP; FTP; DHCP; DNS; DDNS; PPPOE; IPv4/v6; QoS; UPnP;NTP; Bonjour; 802.1x; Multicast; ICMP; IGMP; SNMP
Interoperability	ONVIF, PSIA, CGI
Streaming Method	Unicast / Multicast
Max. User Access	10 Users / 20 Users
Edge Storage	NAS Local PC for instant recording Mirco SD card 128GB
Web Viewer	IE, Chrome, Firefox, Safari
Management Software	Smart PSS, DSS, Easy4ip
Smart Phone	iOS, Android

Certifications	
Certification	CE (EN 60950:2000) UL:UL60950-1 FCC: FCC Part 15 Subpart B

Interface	
Audio Interface	Built-in Mic

Electrical	
Power Supply	DC12V, PoE (802.3af)(Class 0)

Power Consumption	<4.8W
Environmental	
Operating Conditions	-30° C ~ +60° C (-22° F ~ +140° F) / Less than 95% RH
Storage Conditions	-30° C ~ +60° C (-22° F ~ +140° F) / Less than 95% RH
Ingress Protection	IP67
Vandal Resistance	N/A

Construction

Casing	Metal
Dimensions	Φ106mm×93.7mm (4.17"×3.69")
Net Weight	0.47Kg (1.04lb)
Gross Weight	0.65Kg (1.43lb)
Mount Type	Board-in

Ordering Information

Type	Part Number	Description
6MP Camera	DH-IPC-HDW4631C-A	6MP IR Eyeball Network Camera, PAL

Accessories

Optional:



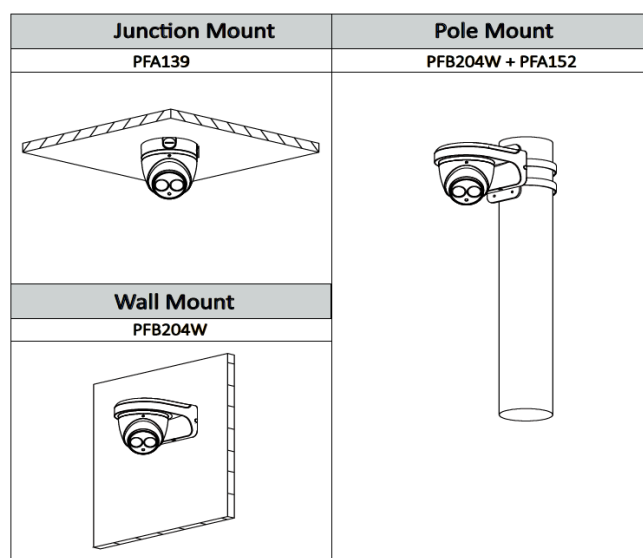
PFA139
Junction Box



PFB204W
Wall Mount



PFA152
Pole Mount



Dimensions (mm/inch)

