

# DH-HAC-HFW2249T-I8-A-LED

2MP Full-color Starlight HDCVI Bullet Camera



## HDCVI

- Full-color starlight
- 120dB true WDR, 3DNR
- 40m(131ft) LED distance
- Max. 30fps@1080P
- HD/SD output switchable
- Audio in interface, built-in mic
- 3.6mm fixed lens (6mm optional)
- IP67, DC12V±30%



## System Overview

Experience 1080P full HD color video and the simplicity of reusing existing coaxial infrastructure with HDCVI. The full-color starlight HDCVI camera presents a high quality color image with rich details even in total darkness conditions. It offers various fixed lens models with a multi-language OSD and HD/SD switchable output. It adopts two powerful warm white LED illuminators, covering an effective range up to 40m(131ft). The LEDs switch on automatically in darkness to capture detail-packed full-color images 24/7, ensuring authentic identification of objects. It is an ideal choice for applications such as schools, retail centers and parking lots.

## Functions

### Full-color Starlight

The camera adopts F1.0 large aperture lens and 1/2.8" high performance sensor. With higher amount of absorbed light and advanced image processing algorithm, the camera presents an impressive lowlight performance with an exceptional balance between noise reduction and the blur of moving object.

### Warm Supplemental lights

With two warm supplemental LED lights, the camera is able to provide a colorful and vivid image even in total darkness. It also provides visible light. By default, the camera is set to smart light mode, in which the camera can automatically adjust the exposure time and light sensitivity simultaneously to avoid overexposure of the objects in the image center. Also, the sensitivity and intensity of the LED lights can be remotely controlled by OSD menu.

### Broadcast-quality Audio

Audio information is used as supplementary evidence in video surveillance applications. The HDCVI camera supports audio signal transmission over coaxial cable. In addition, it adopts unique audio processing and transmission technology that best restores source audio and eliminates noise, guaranteeing the quality and effectiveness of collected audio information.

### 4 Signals over 1 Coaxial Cable

HDCVI technology supports 4 signals to be transmitted over 1 coaxial cable simultaneously, i.e. video, audio\*, data and power. Dual-way data transmission allows the HDCVI camera to interact with the HCVR, such as sending control signal or triggering alarm. Moreover, HDCVI technology supports PoC for construction flexibility.

\* Audio input is available for some models of HDCVI cameras.

### Long Distance Transmission

HDCVI technology guarantees long-distance and real-time transmission without any loss. It supports up to 800m for 1080P Full HD video via coaxial cable, and up to 300m via UTP cable.\*

\*Actual results verified by real-scene testing in Dahua's test laboratory.

### Simplicity

HDCVI technology inherits the born feature of simplicity from traditional analog surveillance system, making itself a best choice for investment protection. HDCVI system can seamlessly upgrade the traditional analog system without replacing existing coaxial cabling. The plug and play approach enables full HD video surveillance without the hassle of configuring a network.

### Multiple-formats

The camera supports multiple video formats including HDCVI, CVBS, and other two common HD analog formats in the market. A DIP switch located on the cable allows you to quickly toggle formats, further simplifying installation and debugging. This feature makes the camera compatible with not only XVRs, but also most existing HD/SD DVRs.

### Wide Dynamic Range

Embedded with industry leading wide dynamic range (WDR) technology, vivid pictures are achieved even in the most intense contrast lighting conditions. True WDR (120dB) optimizes both the bright and dark areas of a scene at the same time to provide usable video.

### Advanced 3DNR

3DNR is noise reduction technology that detects and eliminates random noises by comparing two sequential frames. Dahua's advanced 3DNR technology allows remarkable noise reduction with little impact to sharpness, especially under limited lighting condition. Besides, the advanced 3DNR effectively decreases the band width and saves the storage space.

### Protection

The camera's outstanding reliability is unsurpassed due to its rugged design. The camera is protected against water and dust with IP67 ranking, making it suitable for indoor or outdoor environments.

Supporting ±30% input voltage tolerance, this camera suits even the most unstable power supply conditions. Its 4KV lightning rating provides protection against the camera and its structure from the effects of lightning.

### Technical Specification

#### Camera

Image Sensor	1/2.8" CMOS
Effective Pixels	1920(H)×1080(V), 2MP
Scanning System	Progressive
Electronic Shutter Speed	PAL: 1/4s~1/100,000s NTSC: 1/3s~1/100,000s
Minimum Illumination	0.001Lux/F1.0, 0Lux LED on
S/N Ratio	More than 65dB
LED Distance	40m(131ft)
LED On/Off Control	Auto/Manual
LEDs	2

#### Lens

Lens Type	Fixed lens / Fixed iris
Mount Type	Board-in
Focal Length	3.6mm (6mm Optional)
Max Aperture	F1.0
Angle of View	H: 89.5° (53.8°); V: 47.3° (30°)
Focus Control	N/A
Close Focus Distance	1600mm (3500mm) 63" (138")

#### DORI Distance

Note: The DORI distance is a "general proximity" of distance which makes it easy to pinpoint the right camera for your needs. The DORI distance is calculated based on sensor specification and lab test result according to EN 62676-4 which defines the criteria for Detect, Observe, Recognize and Identify respectively.

	DORI Definition	Distance
Detect	25px/m (8px/ft)	3.6mm: 53m(174ft) 6mm: 83m(272ft)
Observe	63px/m (19px/ft)	3.6mm: 21m(69ft) 6mm: 33m(108ft)
Recognize	125px/m (38px/ft)	3.6mm: 11m(36ft) 6mm: 17m(56ft)
Identify	250px/m (76px/ft)	3.6mm: 5m(16ft) 6mm: 8m(26ft)

#### Pan / Tilt / Rotation

Pan/Tilt/Rotation	Pan: 0° ~ 360° Tilt: 0° ~ 90° Rotation: 0° ~ 360°
-------------------	---

#### Video

Resolution	1080P (1920×1080)
Frame Rate	25/30fps@1080P, 25/30/50/60fps@720P
Video Output	1-channel BNC high definition video output / CVBS video output (DIP switch)
Day/Night	Color

OSD Menu	Multi-language
BLC Mode	BLC / HLC / WDR
WDR	120dB
Gain Control	AGC
Noise Reduction	2D/3D
White Balance	Auto / Manual
Smart Light	Auto / Manual

#### Certifications

Certifications	CE (EN55032, EN55024, EN50130-4) FCC (CFR 47 FCC Part 15 subpartB, ANSI C63.4-2014) UL (UL60950-1+CAN/CSA C22.2 No.60950-1)
----------------	---

#### Interface

Audio Interface	1ch in & Built-in mic
-----------------	-----------------------

#### Electrical

Power Supply	12V DC ±30%
Power Consumption	Max. 6.6W (12V DC, LED on)

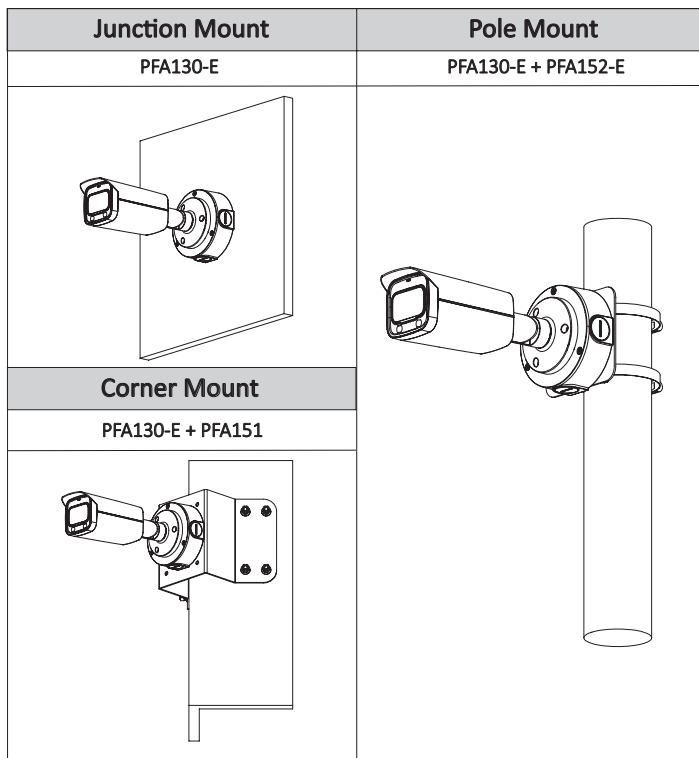
#### Environmental

Operating Conditions	-40°C ~ +60°C (-40°F ~ +140°F) / Less than 90% RH * Start up should be done at above -40°C (-40°F)
Storage Conditions	-40°C ~ +60°C (-40°F ~ +140°F) / Less than 90% RH
Ingress Protection & Vandal Resistance	IP67

#### Construction

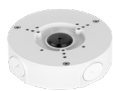
Casing	Aluminium
Dimensions	244.1mm×90.4mm×90.4mm (9.61"×3.56"×3.56")
Net Weight	0.75kg (1.65lb)
Gross Weight	0.97kg (2.14lb)

Ordering Information		
Type	Part Number	Description
2MP Camera	DH-HAC-HFW2249TP-I8-A-LED 3.6mm	2MP Full-color Starlight HDCVI Bullet Camera, PAL
	DH-HAC-HFW2249TP-I8-A-LED 6mm	
	DH-HAC-HFW2249TN-I8-A-LED 3.6mm	2MP Full-color Starlight HDCVI Bullet Camera, NTSC
	DH-HAC-HFW2249TN-I8-A-LED 6mm	
Accessories	PFA130-E	Junction box (For use alone or with PFA152-E pole mount or with PFA151 corner mount)
	PFA152-E	Pole mount (For use with PFA130-E junction box)
	PFA151	Corner mount (For use with PFA130-E junction box)
	PFM800-E	Passive HDCVI Balun
	PFM321	12V 1A Power Adapter
	PFM320	12V 2A Power Adapter
	PFM300	12V 2A Power Adapter



**Accessories**

Optional:



PFA130-E  
Junction box



PFA152-E  
Pole mount



PFA151  
Corner mount bracket



PFM321  
12V 1A Power Adapter



PFM320  
12V 2A Power Adapter



PFM800-E  
Passive HDCVI Balun



PFM300  
12V 2A Power Adapter

**Dimensions (mm/inch)**

