

DH-ED125-E

2MP Entry IR Fixed-Focal Dome Network Camera



2MP, 1/2.8" CMOS image sensor, low illuminance, high image definition
Outputs max. 2MP (1920 × 1080) @25/30 fps

H.265 codec, high compression rate, ultra-low bit rate

Built-in efficient IR illuminator, and the max. illumination distance is 30 m

ROI, SMART H.264+/H.265+, flexible coding, applicable to various bandwidth and storage environments

Rotation mode, DWDR, 3D NR, HLC, BLC, digital watermarking, applicable to various monitoring scenes

Abnormality detection: Motion detection, video tampering, network disconnection, IP conflict, illegal access

12V DC/PoE power supply

IP67, IK10 protection



With features of simple installation, easy operation, and high performance-cost ratio, Dahua Entry series network camera is applicable to small and medium-sized scenes, such as homes/residences, small-sized retail stores, and other small and medium-sized enterprises.

With advanced scene-adaptive rate control algorithm, Dahua smart encoding technology realizes the higher encoding efficiency than H.265 and H.264, provides high-quality video, and reduces the cost of storage and transmission.

When moving objects appear in the monitoring image, Dahua Motion Detection (General) technology triggers alarm or records.

Dahua Smart Illumination technology can display image in the environment of low illuminance or completely dark environment. According to the distance of the targets, the camera adjusts illuminations intensity automatically to display the details of the moving target.

For narrow and long scenes, Dahua image flip technology flips the image by 90°/180°/270° to realize better surveillance in rotation mode.

Dahua network camera is equipped with a series of key security technologies, such as security authentication and authorization, access control, trusted protection, encrypted transmission, and encrypted storage, which improve its security defense and data protection, and prevent malicious programs from invading the device.

IP67: The camera passes a series of strict test on dust and soak. It has dust-proof function, and the enclosure can work normal after soaking in 1 m deep water for 30 minutes.

IK10: The enclosure can stand the punch more than 5 times from a 5 kg hammer falling from a height of 40 cm (Impact energy is 20J).

Wide voltage: The camera allows ±30% (for some power supplies) input voltage tolerance (wide voltage range), and it is widely applied to outdoor environment with instable voltage.

Entry Series | DH-ED125-E

Camera	
Image Sensor	1/2.8" CMOS
	1920 (H) × 1080 (V)
ROM	16 MB
RAM	64 MB
Scanning System	Progressive
	Auto/Manual 1/3 s–1/100000 s
Min. Illumination	0.01 Lux @F2.0
S/N Ratio	>56 dB
Illumination Distance	30 m (98.4 ft)
Illuminator On/Off Control	Auto/Manual
Illuminator Number	3 (IR LED)
Pan/Tilt/Rotation Range	Pan: 0°–355° Tilt: 0°–65° Rotation: 0°–355°

Lens					
	Fixed-focal				
Lens Mount	M12				
Focal Length	2.8 mm; 3.6 mm				
	2.8 mm: F2.0 3.6 mm: F2.0				
	2.8 mm: Horizontal: 102°; Vertical: 54°; Diagonal: 120° 3.6 mm: Horizontal: 84°; Vertical: 45°; Diagonal: 100°				
Iris Control	Fixed				
Close Focus Distance	2.8 mm: 0.5 m (1.6 ft) 3.6 mm: 0.8 m (2.6 ft)				
DORI Distance	Lens	Detect	Observe	Recognize	Identify
	2.8 mm	38.6 m (126.6 ft)	15.4 m (50.5 ft)	7.7 m (25.3 ft)	3.9 m (12.8 ft)
	3.6 mm	49.7 m (163.1 ft)	19.9 m (65.3 ft)	9.9 m (32.5 ft)	5.0 m (16.4 ft)

Video	
	H.265; H.264; H.264B; MJPEG (only supported by the sub stream)
	Smart H.265+/Smart H.264+
	Main Stream: 1920 × 1080 (1 fps–25/30 fps) Sub stream: 704 × 576 (1 fps–25 fps) 704 × 480 (1 fps–30 fps)
	2 streams
Resolution	1080p (1920 × 1080); 1.3M (1280 × 960); 720p (1280 × 720); D1 (704 × 576/704 × 480); VGA (640 × 480); CIF (352 × 288/352 × 240)
Bit Rate Control	CBR/VBR
	H.264: 32 kbps–6144 kbps H.265: 12 kbps–6400 kbps

Day/Night	Auto (ICR)/Color/B/W
BLC	Yes
HLC	Yes
WDR	DWDR
White Balance	Auto; natural; street lamp; outdoor; manual; regional custom
Gain Control	Auto/Manual
	3D NR
Motion Detection	OFF/ON (4 areas, rectangular)
Region of Interest (RoI)	Yes (4 areas)
Smart Illumination	Yes
Image Rotation	0°/90°/180°/270° (Support 90°/270° with 1080p resolution and lower)
Mirror	Yes
Privacy Masking	4 areas

Alarm	
Alarm Event	Network disconnection; IP conflict; illegal access; motion detection; video tampering; safety exception

Network	
	RJ-45 (10/100 Base-T)
	Yes
Cyber Security	Video encryption; configuration encryption; Digest; WSE; account lockout; security logs; generation and importing of X.509 certification; HTTPS; trusted boot; trusted execution; trusted upgrade
	IPv4; IPv6; HTTP; TCP; UDP; ARP; RTP; RTSP; SMTP; FTP; DHCP; DNS; NTP; Multicast
	ONVIF (Profile S/Profile T); CGI; P2P; Genetec
User/Host	6 (Total bandwidth: 36 M)
Storage	FTP
	IE Chrome Firefox
	Smart PSS; DSS; DMSS
Mobile Client	IOS; Android

Certification	
Certifications	CE-LVD: EN62368-1 CE-EMC: Electromagnetic Compatibility Directive 2014/30/EU FCC: 47 CFR FCC Part 15, Subpart B

Power	
	12V DC/PoE (802.3af)
	Basic power consumption: 1.6W (12V DC); 2.2W (PoE) Max. power consumption (ICR + H.265 + IR intensity): 4.4W (12V DC); 5.1W (PoE)

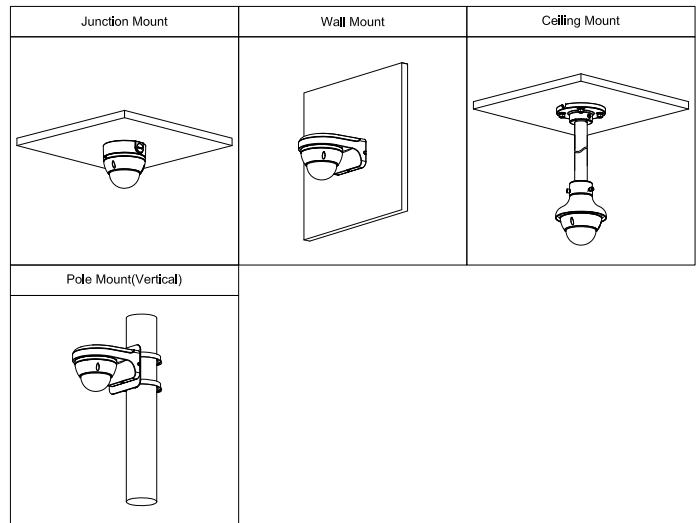
Entry Series | DH-ED125-E

Environment

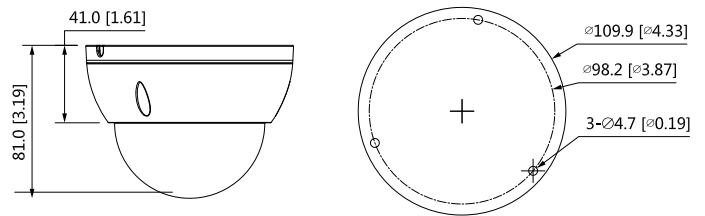
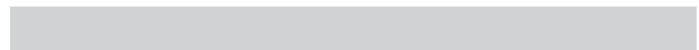
	-40°C to +60°C (-40°F to +140°F)/less than ≤ 95%
	-40°C to +60°C (-40°F to +140°F)
Protection	IP67; IK10

Structure

Casing	Metal
	81 mm × Φ109.9 mm (3.2" × Φ4.3")
Net Weight	0.35 kg (0.7 lb)
Gross Weight	0.50 kg (1.1 lb)



	Part Number	
2MP Camera	DH-ED125P-E	2MP Entry IR Fixed Focal Dome Network Camera, PAL
	DH-ED125N-E	2MP Entry IR Fixed Focal Dome N
Accessories	PFA136	Junction Box
	PFB203W	Wall Mount
	PFA152-E	Pole Mount
	PFA106	Mount Adapter
	PFB220C	Ceiling Mount
	PFM321D	DC12V1A Power Adapter
	LR1002-1ET/1EC	Single-port Long Reach Ethernet over Coax Extender
	PFM900-E	Integrated Mount Tester



PFB203W
Wall Mount

PFA152-E
Pole Mount



PFA106
Mount Adapter

PFB220C
Ceiling Mount

PFM321D
DC12V1A Power
Adapter



LR1002-1ET/1EC
Single-port Long
Reach Ethernet over
Coax Extender

PFM900-E
Integrated Mount
Tester